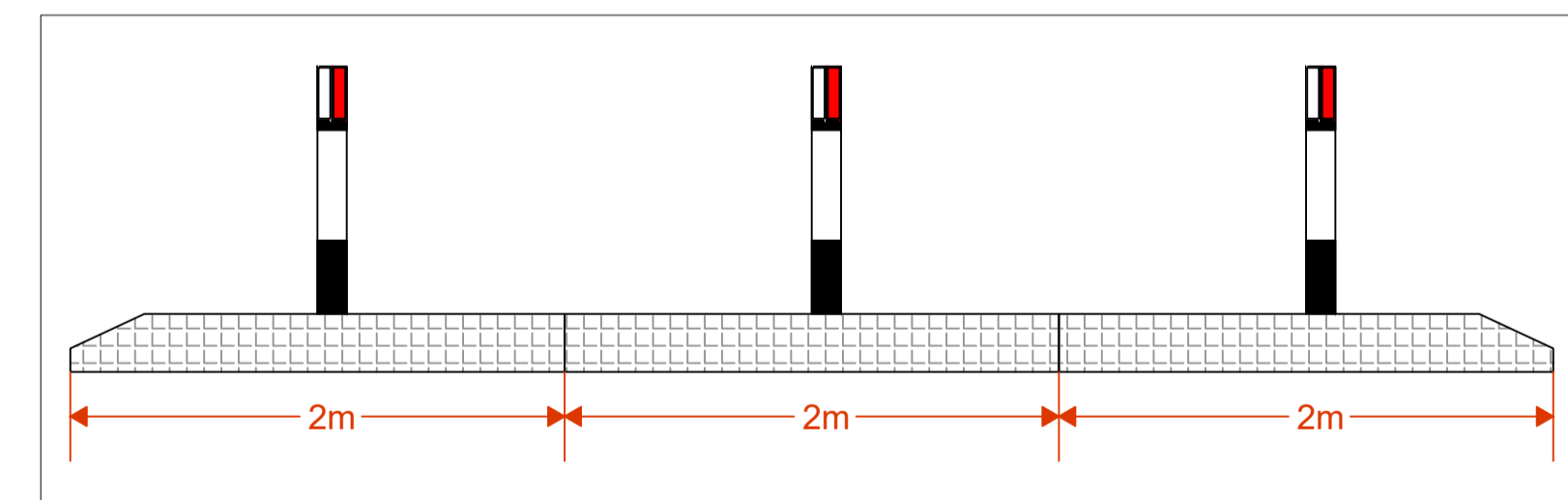
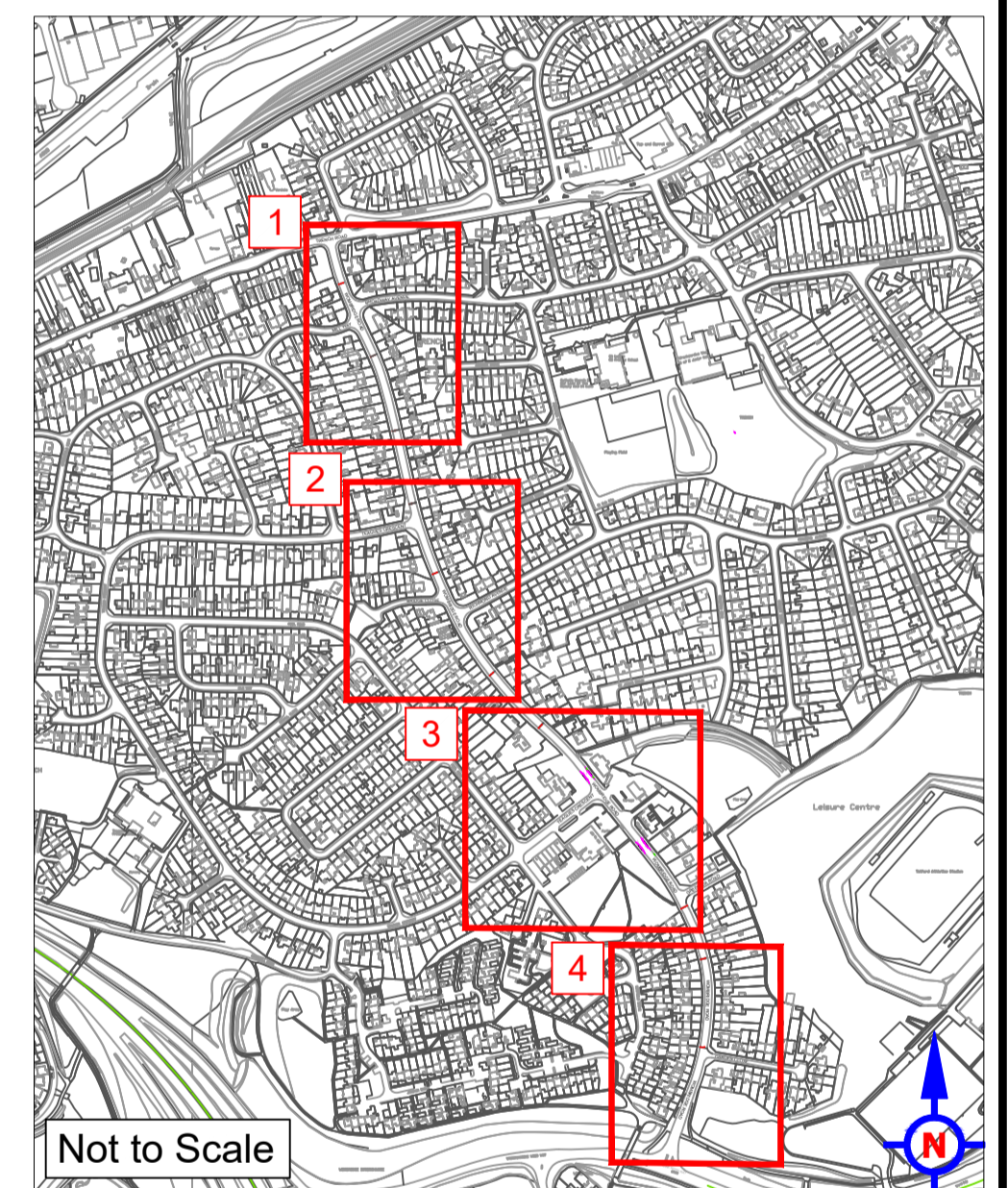
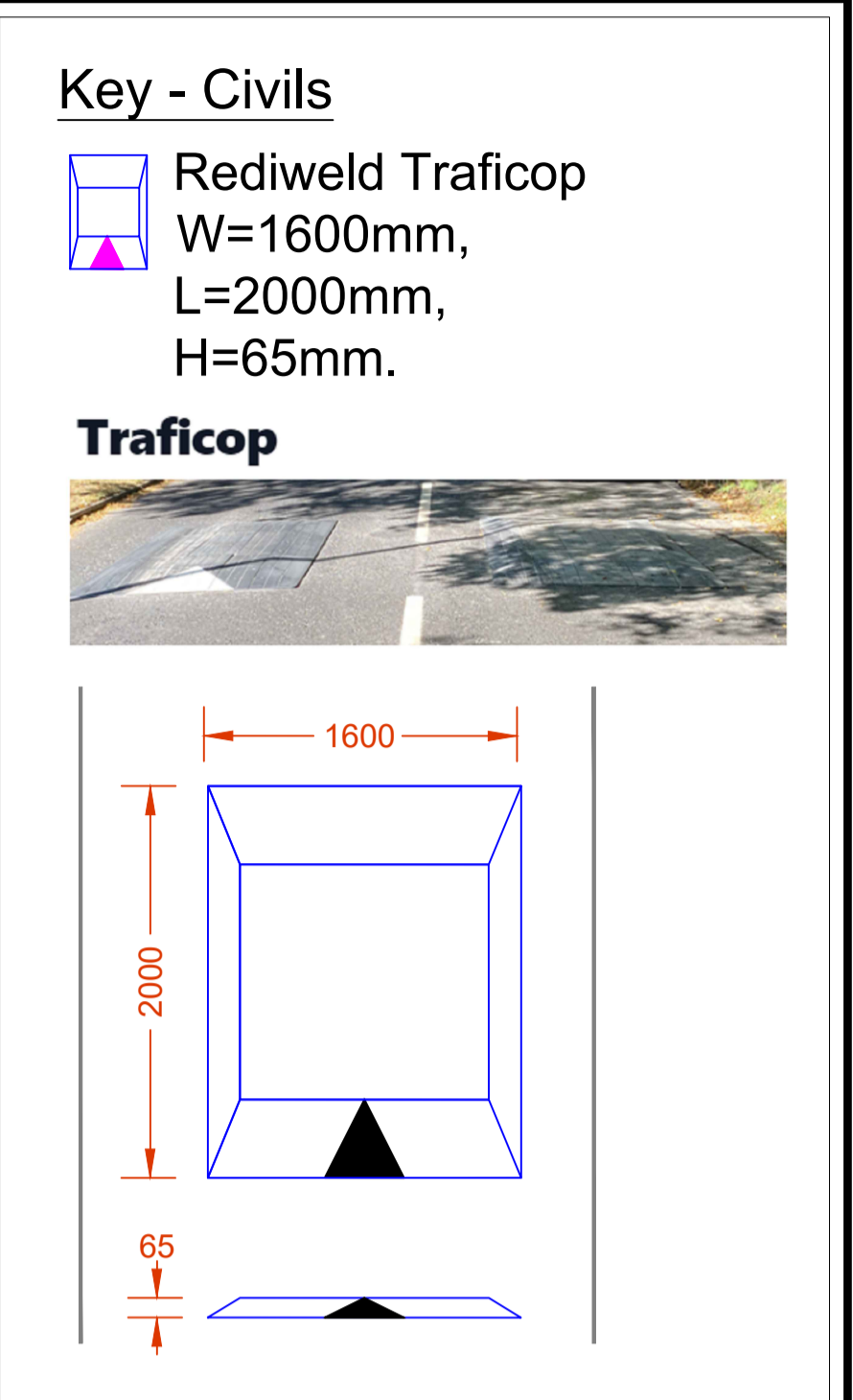
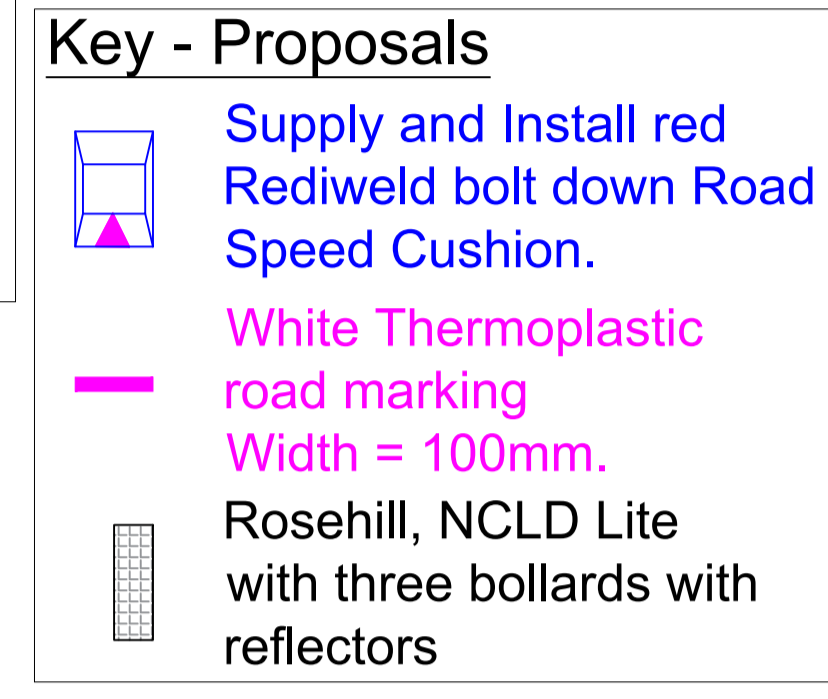
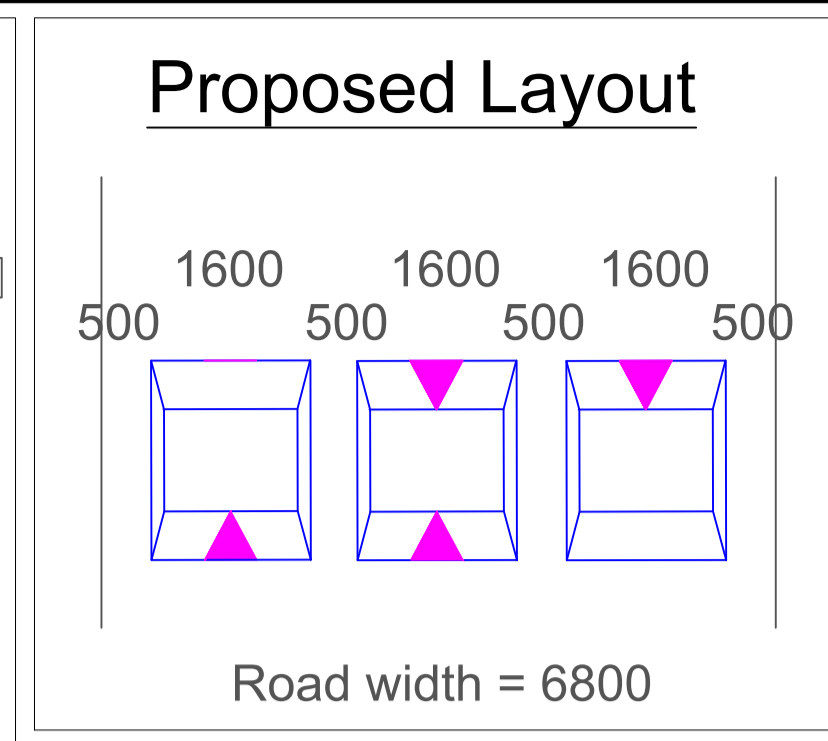
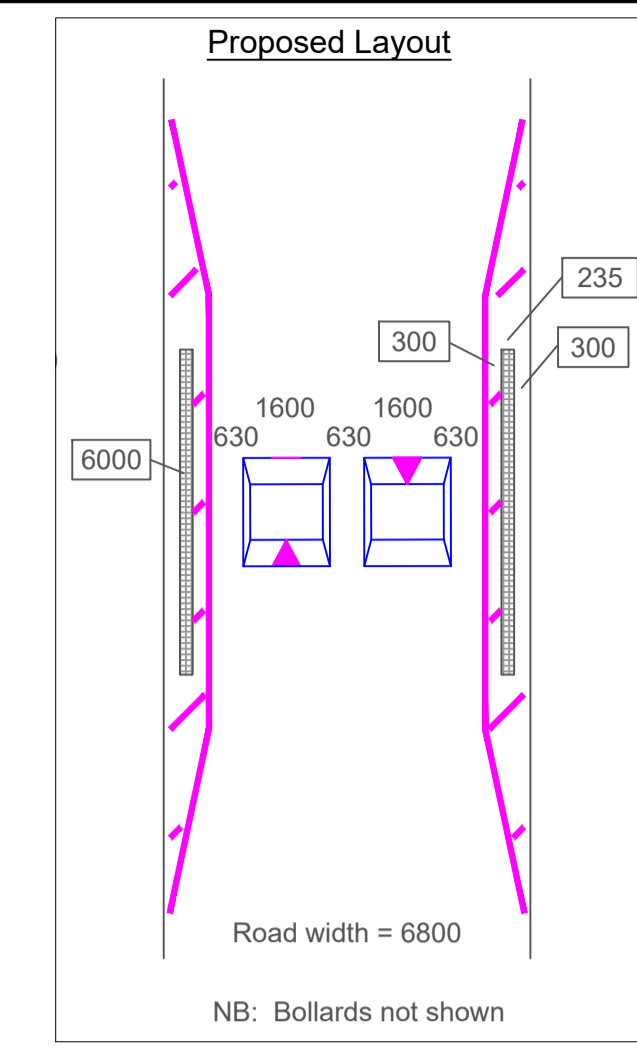


Based on Ordnance Survey 1250 mapping with the permission of the Controller of Her Majesty's Stationary Office. Crown Copyright. Unauthorised reproduction infringes Crown Copyright and may lead to Prosecution or Civil proceedings. Telford & Wrekin Council Licence No. 100019694 Date 2024



Example of build out

P1	27-Jun-24	For Consultation	AKC	PL	CP
Rev	Revision/Issue Date	Purpose of Revision/Issue	Drawn	Checked	Approved

Dean Sargeant, Director, Neighbourhood & Enforcement Services, Addenbrooke House, Telford, TF3 4NT				
Client Telford & Wrekin Council				
Project Wombridge Road, Traffic Calming				
Drawing title Road Speed Cushions - Proposed amendments to road speed cushions				
Drawing status FOR CONSULTATION				
Scale	Date	Drawn-by	Checked-by	Approved-by
NTS	A1	AKC	PL	CP
DO NOT SCALE FROM THIS DRAWING				
Drawing number	NM21_CP02-0100-02			Rev
				P1